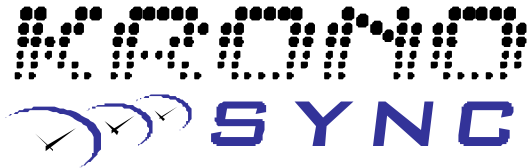


FRANKLIN WIRELESS

The future of Wireless Time Synchronization is here, with the powerful **KRONOsync** 467MHz Transmitter. Small, light, and maintenance free, this simplistic “Plug and Play” system is the perfect solution for providing correct time throughout buildings and facilities of various sizes and applications.



Transmitter - 5 Watt **Part # 101005**

Includes: Transmitter, Antenna, GPS Receiver, AC Power Supply, 5 year warranty, Rack Mount Bracket (optional)



See reverse side for specifications.

Features:

- GPS/NTP Time Synchronization
- Sleek, Stylish, Compact
- 467 MHz Frequency
- Non-Volatile Memory
- 10 Selectable Channels
- Pre-Programmed Time Zones
- LCD Time/Day/Date/Year Display
- Automatically Adjusts for DST and After Power Outages
- Simplistic 2 Button Operation
- Small 7" Rear Mounted Antenna
- Exterior Remote Antenna NOT Needed
- Maintenance Free

Transmitter Specifications

- FCC Part 90 Approved
- 5 watt transmitter
- 467 MHz frequency
- 10 selectively available channels
- Daylight savings time (DST) pre-programmed
- Time Zone pre-set
- LCD display for time, date, year, power, time zone and signal reception
- Maintenance Free

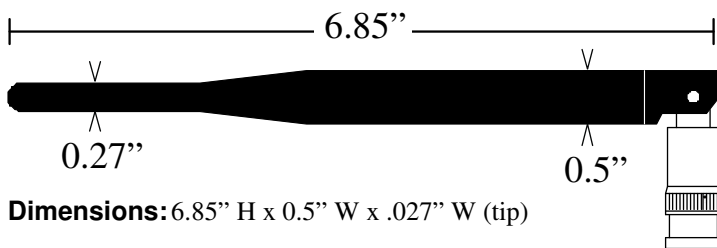
Dimensions: 12" L x 6" W x 1.75" H

Weight: 2 lbs

Power Supply: Std 120 VAC

Operating Range: 32° - 158° F

Antenna Specifications



Dimensions: 6.85" H x 0.5" W x .027" W (tip)

Material: ABS Construction

GPS Receiver Specifications

Included with **KRONOSync** Transmitter

- 15' cable attached with GPS Receiver
- Mounting bracket included for roof mount or side wall installation
- Maintenance Free

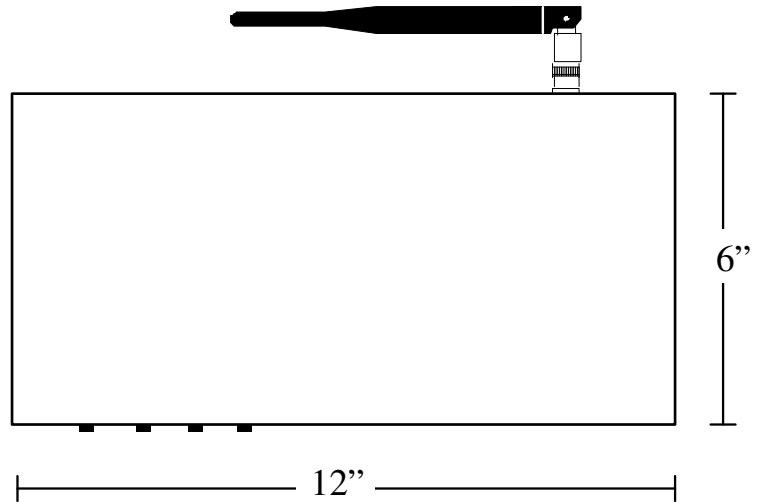
Dimensions: 2.5" W x .75" H

Weight: 0.75lb.

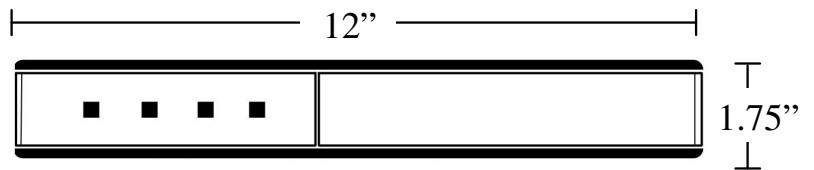
Operating Range: - 32° - 158° F

Franklin Instrument Company
233 Railroad Drive
Warminster Pa 18974
Phone (215)-355-7942 or (800)-321-2353
Fax (215)-322-1022
www.franklinlock.com

TOP VIEW



FRONT VIEW

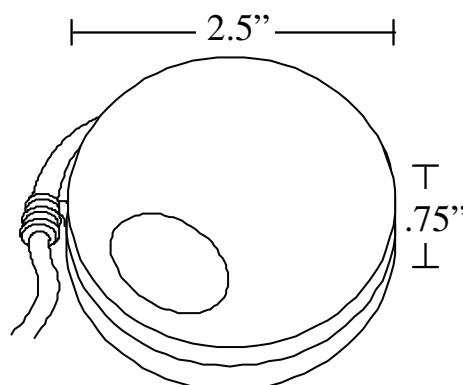


- Additional Extension Cables of **25'**, **50'** and **100'**(not included)

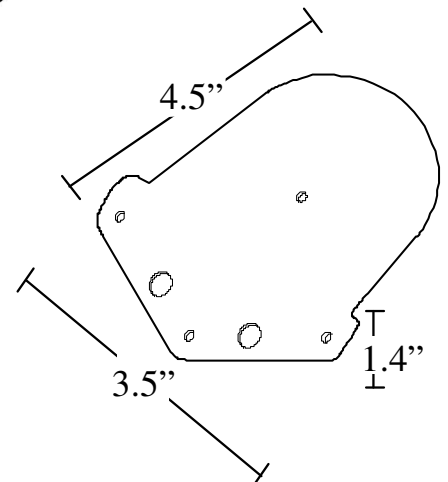
25' Cable **Part # 106025**

50' Cable **Part # 106050**

100' Cable **Part # 106100**



GPS Receiver **Part # 105004**



GPS Receiver Bracket **Part # 105005**